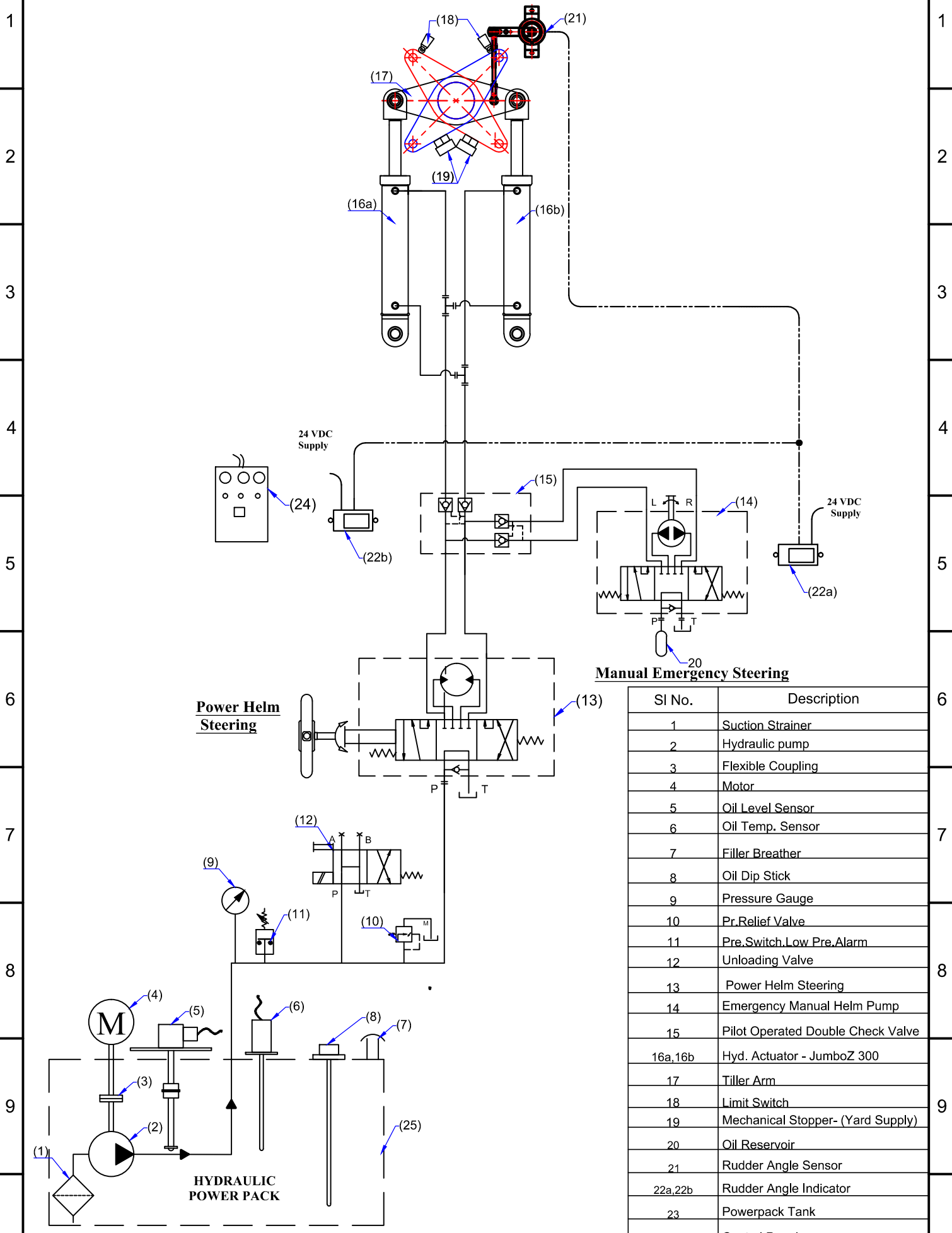


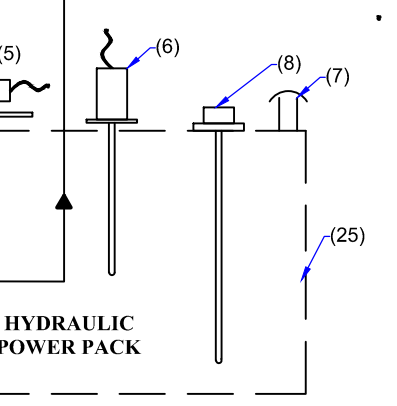
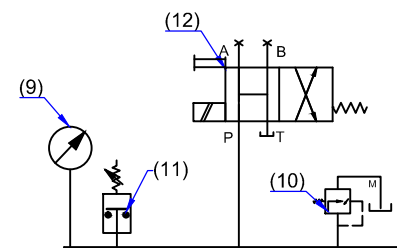
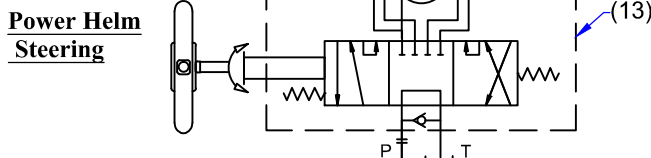
# Electro-Hyd. Circuit - JumboZ-300E - Motor with Power Helm



### Manual Emergency Steering

SI No.	Description
1	Suction Strainer
2	Hydraulic pump
3	Flexible Coupling
4	Motor
5	Oil Level Sensor
6	Oil Temp. Sensor
7	Filler Breather
8	Oil Dip Stick
9	Pressure Gauge
10	Pr. Relief Valve
11	Pre. Switch. Low Pre. Alarm
12	Unloading Valve
13	Power Helm Steering
14	Emergency Manual Helm Pump
15	Pilot Operated Double Check Valve
16a, 16b	Hyd. Actuator - JumboZ 300
17	Tiller Arm
18	Limit Switch
19	Mechanical Stopper- (Yard Supply)
20	Oil Reservoir
21	Rudder Angle Sensor
22a, 22b	Rudder Angle Indicator
23	Powerpack Tank
24	Control Panel

### Power Helm Steering



**MAC ♦ N ♦ HOM SYSTEMS**  
**KOCHI - 20**

<b>DESIGNATION</b>	<b>DWG. No.</b>	<b>DATE</b>
Electro-Hydro. Circuit of JumboZ-300E Motor - Power Helm	MHS-1206	06.07.2021